

ALS SERIES

VALVE MONITOR



DeviceNet™

ACHEM Controls Inc
Add: 87 Main St. N. #. 1 Campbellville, Ontario Canada
Tel: 001-905-854-6827.ext.222 Fax: 001-905-315-8341
E-mail: Kevin.armstrong@achemgroup.com
www.achemgroup.com sales@achemgroup.com

Introduction

ALS series valve monitors were designed through advance and state-of-the-art engineering technology which have the product to be solid, beautiful and with high-level quality. All range of the products fully meets IP specifications and the bracket is designed in light of ISO5211 and NAMUR standard. The production and quality control of the monitors are fully based on 94/9/EC of 23 March, EN13980, EN60079-0:2006 and EN60079-1:2004.



Main Features

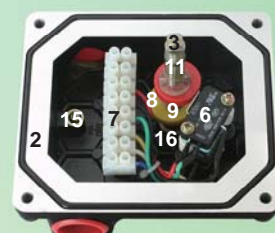
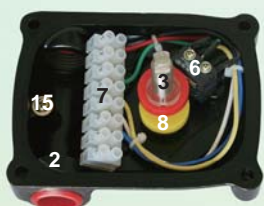
- Compact and Beautiful Design, Polyester powder coated aluminum die-casting housing or stainless steel (304/316) housing.
 - Higher level weather proof (IP67)
 - Certified for use in all hazardous areas(Class I, Div.1&2, Groups A,B,C and D, Ex d IIB T6, Ex d IIC T6).
 - Available for sensors of mechanical, Inductive and magnet.
 - Available for sensors communication card with ASI or Devicenet protocol.
 - Dual cable entries, 2xG1/2 (Standard) and M20x1.5, NPT1/2(Optional)
 - Multipoint terminal strip, standard 8 points and enough strips for connection (14 points for optional).
 - Multiview visual Position Indicator, Secure waterproof, multi-angles visual valve positions involving top and side view.
 - "Quick-Set" Cam, spring loaded splined cam. no need to adjust again after initial setting and easy setting without tool.
- Captive cover bolts, No worry to loose bolts while cover opens
Easy mounting, NAMUR and ISO5211 adjustable bracket same as for 30*80-130 H20-30. standard is steel plate and stainless steel (optional)



Ordering Guide

Enclosure / Area Classification	Sensor/Bus	Visual Display								
ALS200	Mechanical Switches M2 2SPDT 5A 125-250VAC, Honeywell (only for 200) M2 2SPDT 15A 125-250VAC, CROUZET (for 300-600) M3 3SPDT 15A 125-250VAC, CROUZET (for 300-600) M4 4SPDT 15A 125-250VAC, CROUZET (for 300-600) M5 2DPDT 15A 125-250VAC, CROUZET (for 300-600) ML2 Low Temp. -40 °C 2SPDT 15A 125-250VAC, CROUZET (for 300-600) MG2 Gold contacts 2SPDT 15A 125-250VAC, CROUZET (for 300-600)	Y90 90° Yellow OPEN, Red CLOSED Y60 60° Yellow OPEN, Red CLOSED Y45 45° Yellow OPEN, Red CLOSED G90 90° Green OPEN, Red CLOSED G60 60° Green OPEN, Red CLOSED G45 45° Green OPEN, Red CLOSED P90 90° P180 180° L Three way "L" Yellow base red Bar T Three way "T" Yellow base red Bar								
Die-cast aluminum: O-ring sealed Dichromate conversion with Polyester power coating Sealed: Buna N O-ring Double cable entry 2-1/2" NPT (Also available with 2-1/2" BSPP ,M20 x 1.5) NAMUR shaft ISO Bracket IP67, NEMA4, 4X										
ALS300					Proximity Sensor PP22 2-p+f Inductive sensors (2 wire) NCB2-V3-No 8DCV, <=1mA 					
Die-cast aluminum: O-ring sealed Dichromate conversion with Polyester power coating Sealed: Buna N O-ring Double cable entry 2-1/2" NPT (Also available with 2-1/2" BSPP ,M20 x 1.5) NAMUR shaft ISO Bracket IP67, NEMA4, 4X							Magnet Sensor QA23 2-ALMS Magnet sensors (3 wire) 5-240 VAC/DC, <=300mA 			
ALS400									Analog Output F analog output 4-20mA transmitter (0-90 °) (Available for 300-400with 0 or 2 switches for M1, M2, PP, PA OR QA only)	
Die-cast aluminum: O-ring sealed Dichromate conversion with Polyester power coating Sealed: Buna N O-ring Double cable entry 2-3/4" NPT (Also available with 2-1/2" or 3/4" BSPP , 1/2"NPT, M20 x 1.5) NAMUR shaft ISO Bracket Ex Class I, Div.1 & 2 Groups A, B, C and D Ex d II C T6, IP66, NEMA4, 4X,7,8										
ALS500										
Die-cast aluminum: O-ring sealed Dichromate conversion with Polyester power coating Sealed: Buna N O-ring Double cable entry 2-3/4" NPT (Also available with 2-1/2" or 3/4" BSPP , 1/2"NPT, M20 x 1.5) NAMUR shaft ISO Bracket Ex Class I, Div.1 & 2 Groups C and D Ex d II B T6, IP66, NEMA4, 4X,7,8										
ALS600										
Stainless steel 304 or 316. Resistance to corrosion of chemicals and salty fog: O-ring sealed Sealed: Buna N O-ring Double cable entry 2-3/4" NPT (Also available with 2-1/2" or 3/4" BSPP , 1/2"NPT, M20 x 1.5) NAMUR shaft ISO Bracket Ex Class I, Div.1 & 2 Groups C and D Ex d II B T6, IP66, NEMA4, 4X,7,8										
Enclosure / Area Classification									Sensor/Bus	Visual Display

Structure and Material



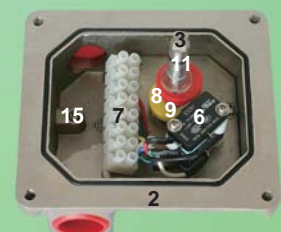
ALS-200

ALS-300

ALS-400

ALS-500

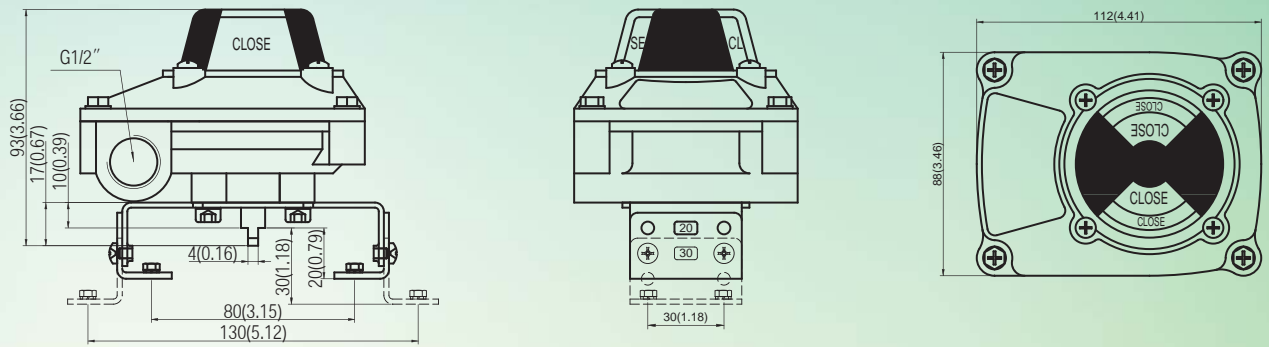
No.	Part Name	Qty.	Material
1	Box Cover	1	Aluminum Die Casting / Stainless Steel only for ALS-600
2	Box Body	1	Aluminum Die Casting / Stainless Steel only for ALS-600
3	Shaft	1	Stainless Steel
4	Indicator Cover	1	Polycarbonate
5	Indicator	1	ABS
6	Limit Switch	2	Mechanical/Proximity/ Magnet sensor
7	Terminal Strip	8-14	Polycarbonate, Tin Plated Brass, Stainless Steel
8	Cam	2	Polycarbonate
9	Spring	1	Stainless Steel
10	Cover Bolts	4	Stainless Steel
11	Shaft O-ring	2	NBR
12	Housing O-ring	1	NBR
13	Indicator O-ring	1	NBR
14	Bushing	2	Bronze
15	Earth Lug	1	Stainless Steel
16	E-ring	2	Stainless Steel



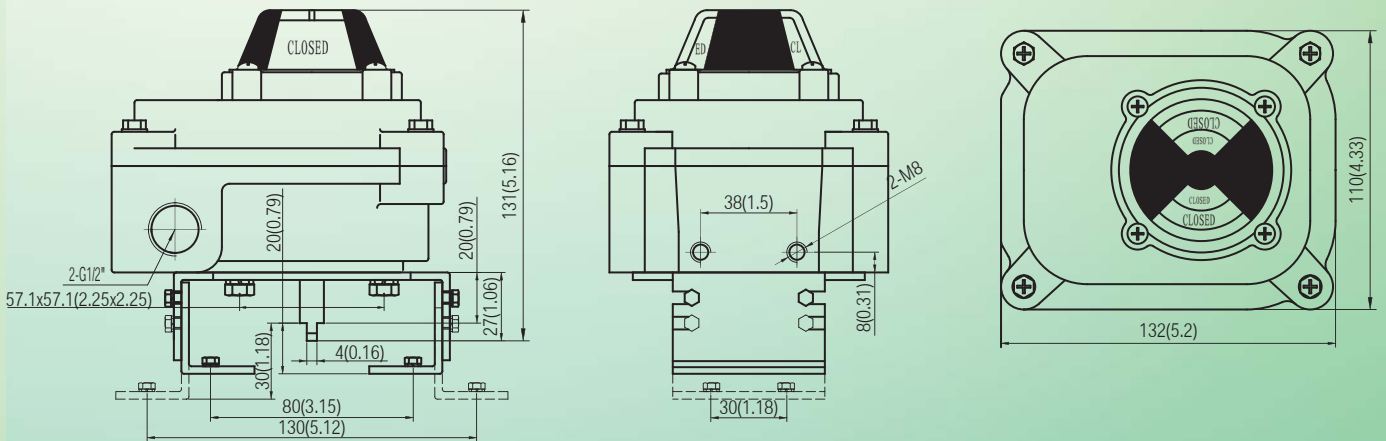
ALS-600

Dimension

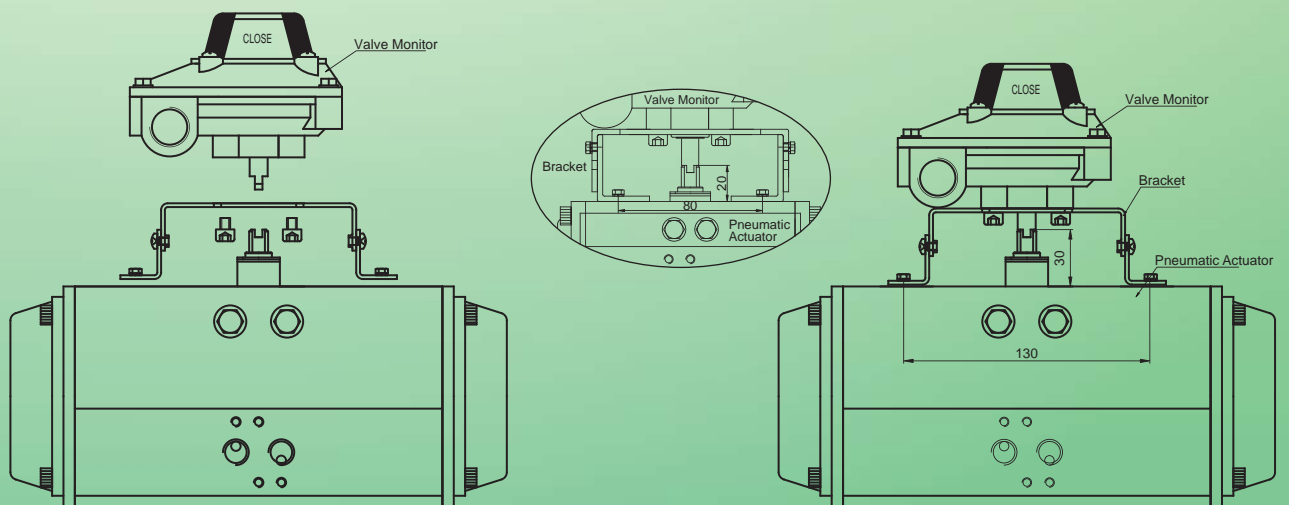
ALS200



ALS300

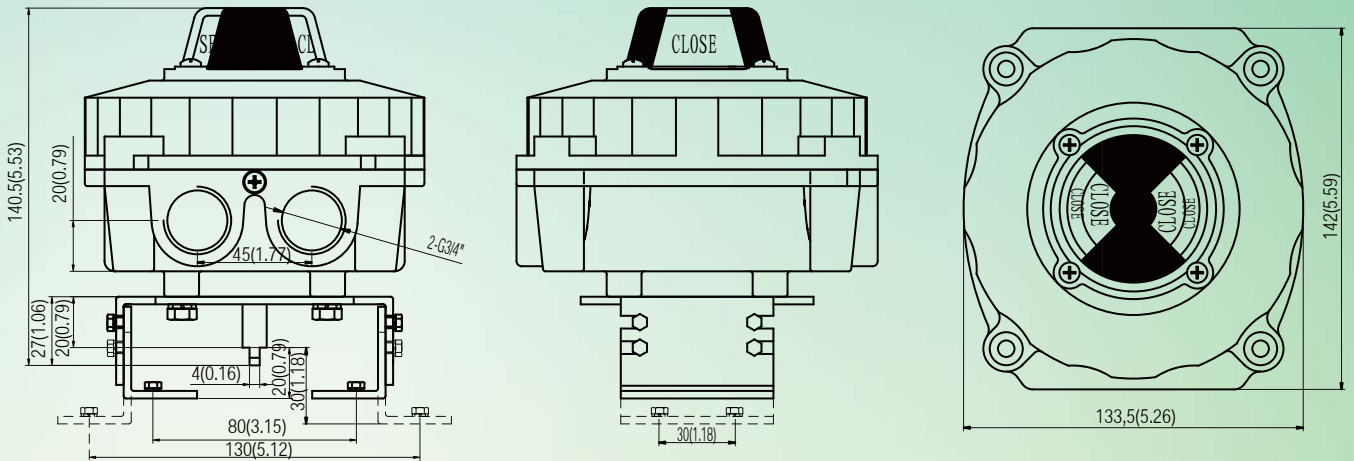


Easy Mounting (30x80,130H20,30)

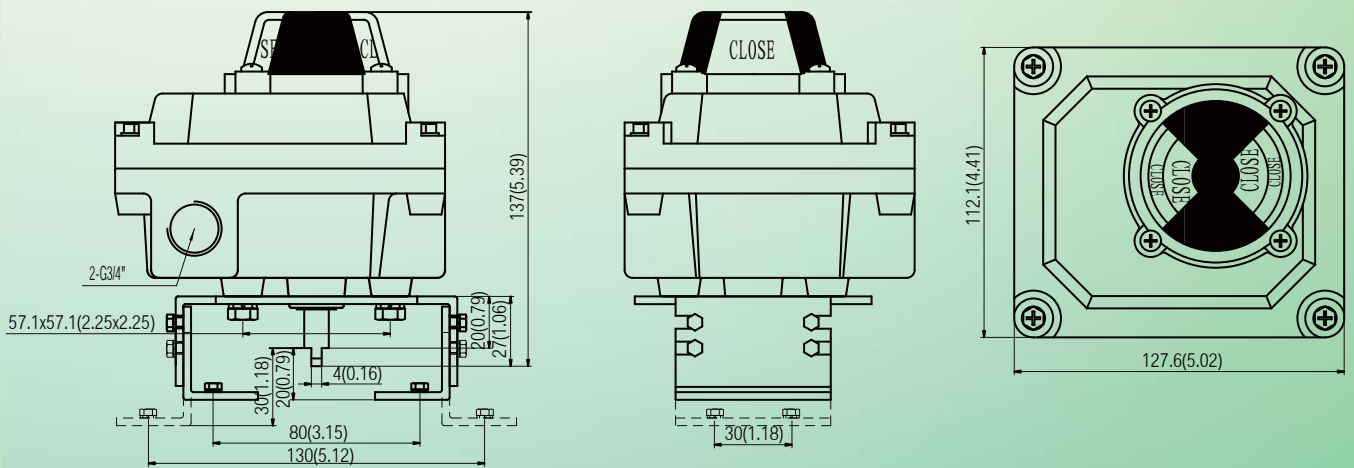


Dimension

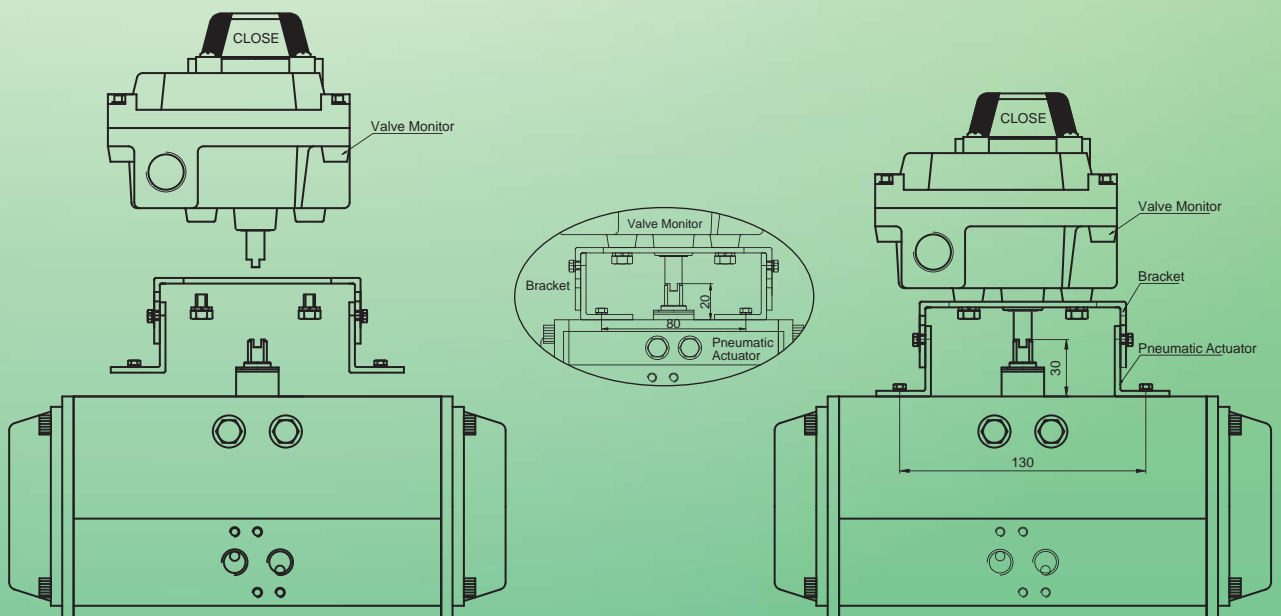
ALS400



ALS500/600

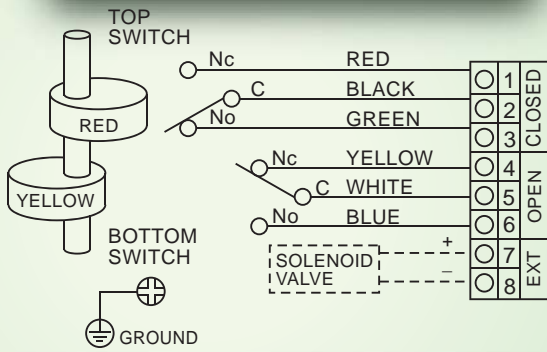


Easy Mounting (30x80,130H20,30)

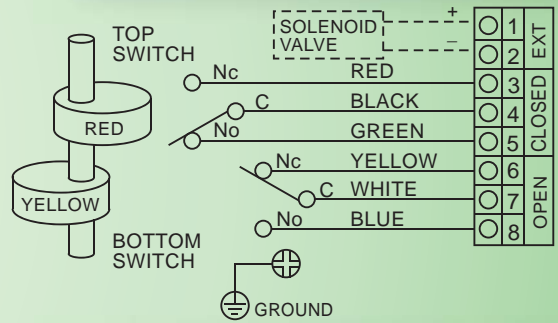


Wiring

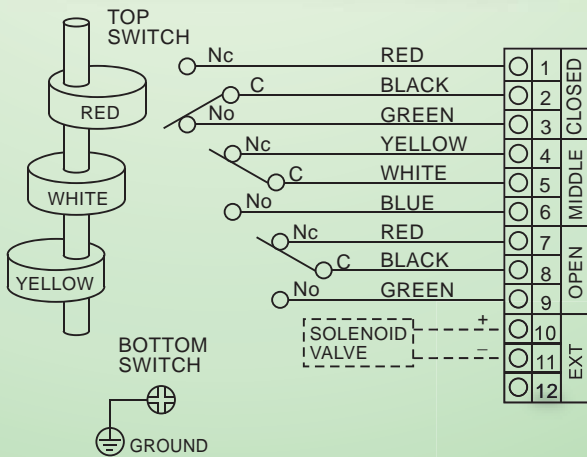
ALS200/300/400M2
2SPDT Mechanical Switches Wiring



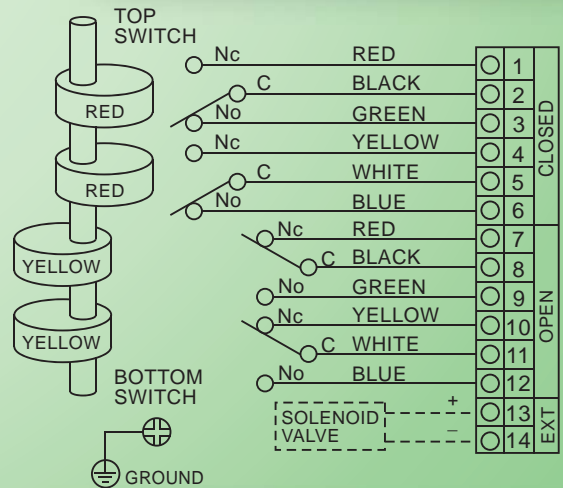
ALS500/600M2
2SPDT Mechanical Switches Wiring



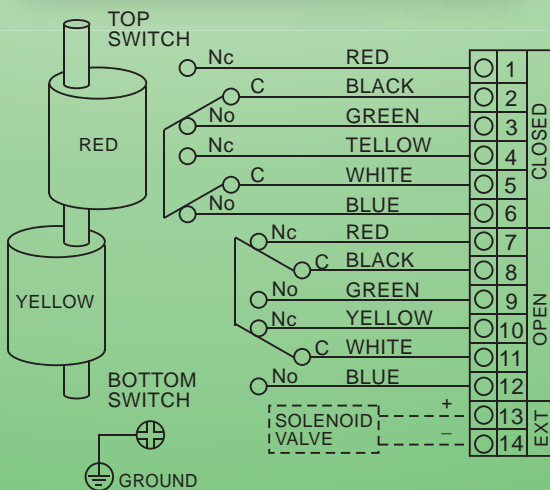
ALS300/400/500/600M3
3SPDT Mechanical Switches Wiring



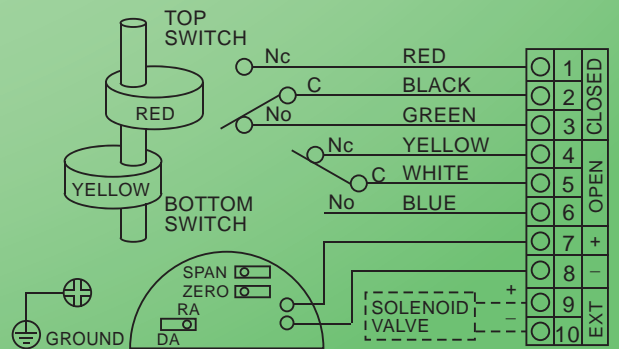
ALS300/400/500/600M4
4SPDT Mechanical Switches Wiring



ALS300/400/500/600M5
2DPDT Mechanical Switches Wiring

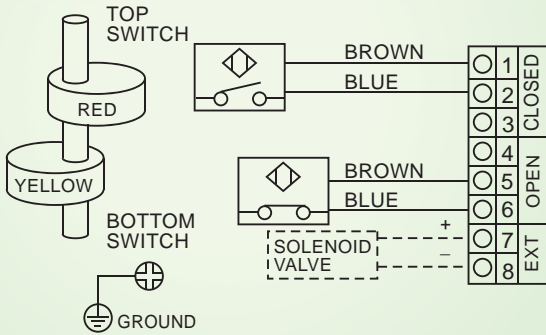


ALS300/400M2F
2SPDT Mechanical Switches Wiring

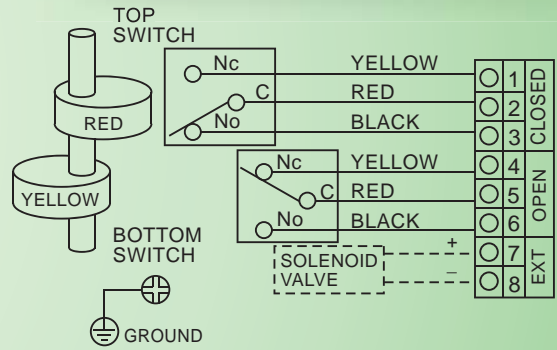


Wiring

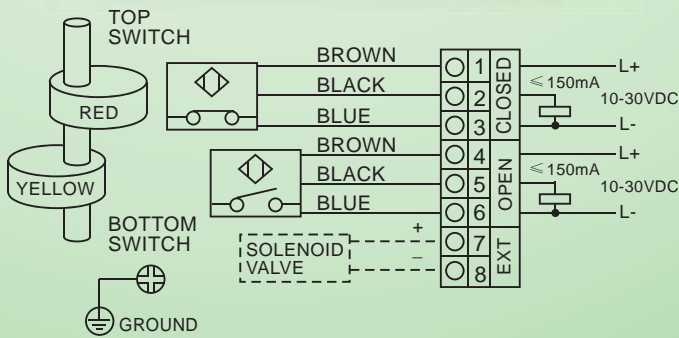
ALS200/300/400/500/600PP22/PA22
NC (2-Wire) Inductive Sensors



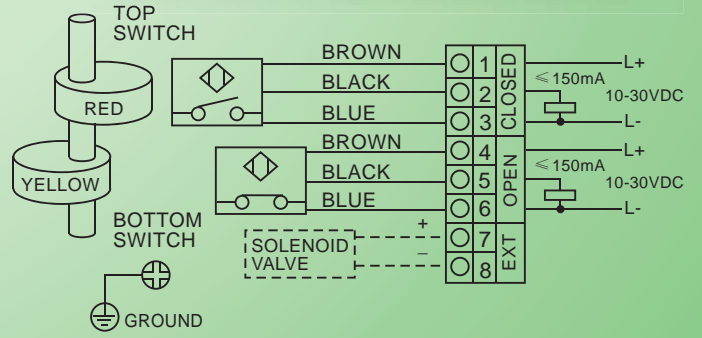
ALS200/300/400/500/600QA23
NC (3-Wire) Magnet Sensors



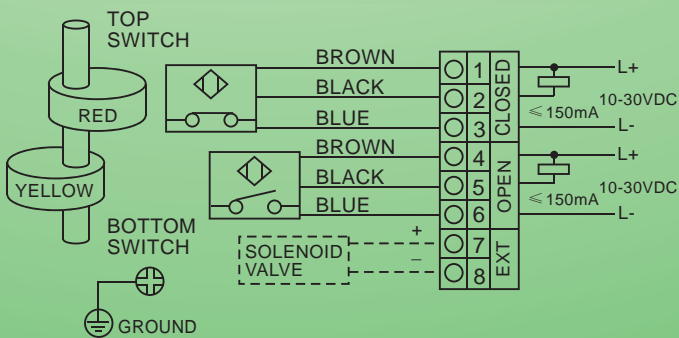
ALS200/300/400/500/600PA23
PNP NO (3-Wire) Inductive Sensors



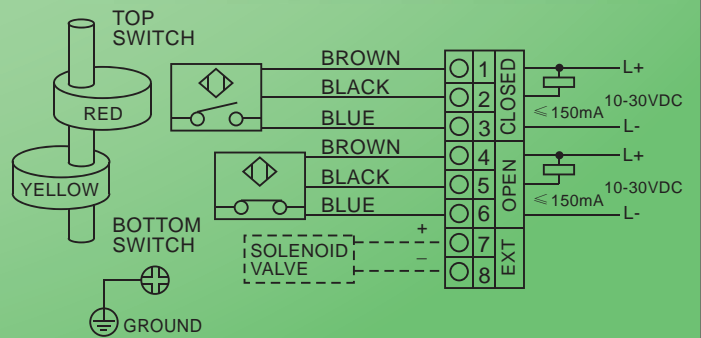
ALS200/300/400/500/600PA23
PNP NC (3-Wire) Inductive Sensors



ALS200/300/400/500/600PA23
NPN NO (3-Wire) Inductive Sensors

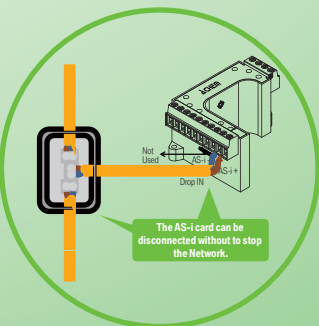
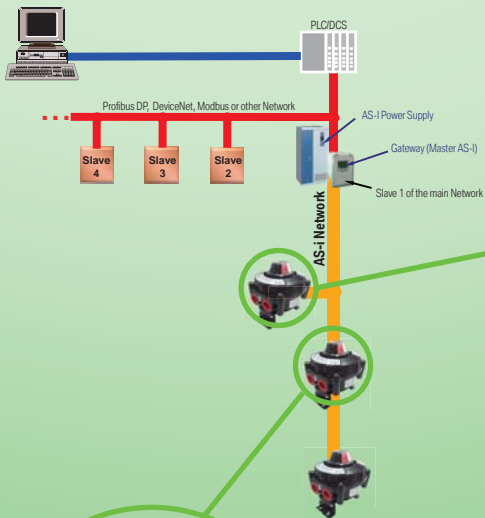
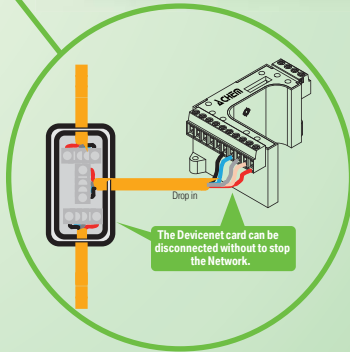
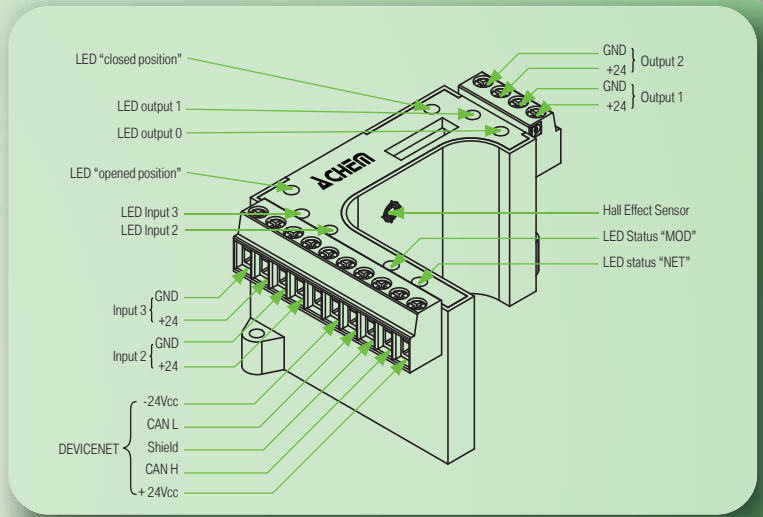
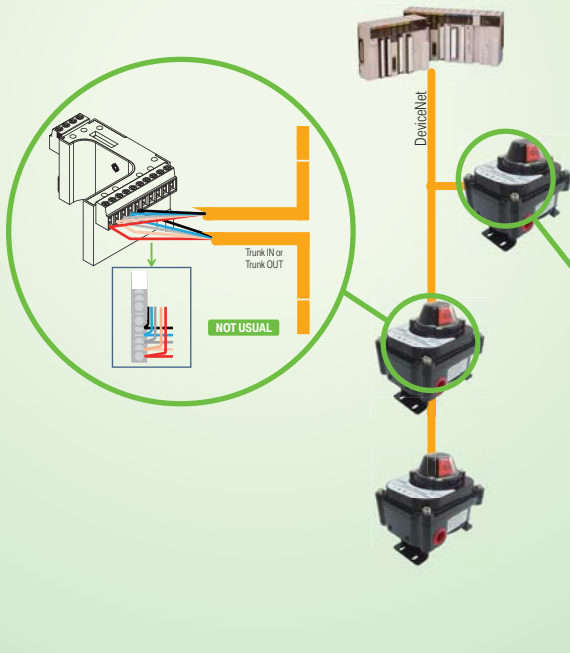


ALS200/300/400/500/600PA23
NPN NC (3-Wire) Inductive Sensors

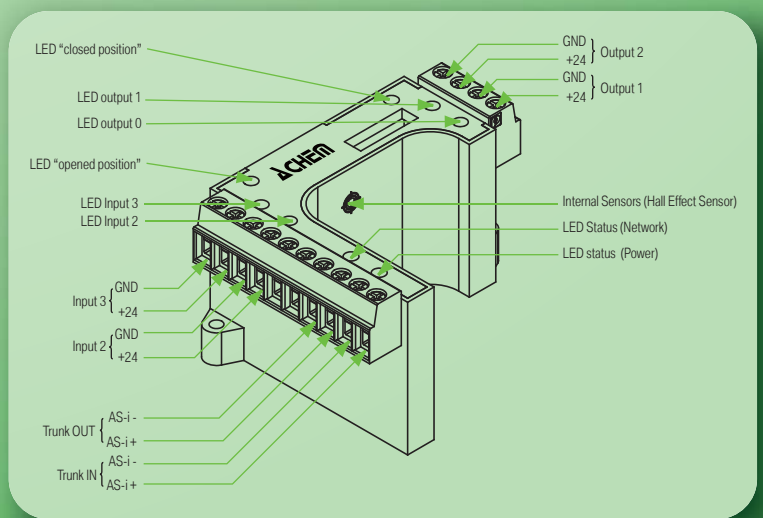
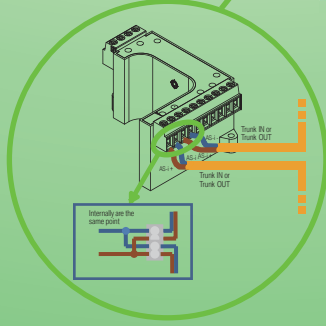


DN Wiring

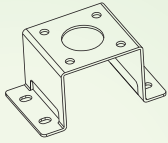
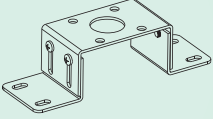
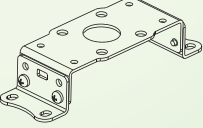
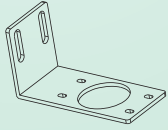
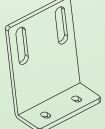
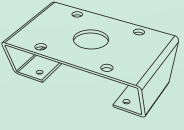
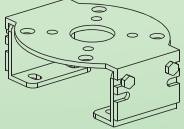
DeviceNet™



ASi Wiring



ISO Mounting Bracket

Model No.	Photo	Material		Application	
MB-1.0		Carbon Steel Polyester Powder coated	S.S.304-2mm	30x80 H:20	ALS200
				30x80 H:30	
MB-1.1		Carbon Steel Polyester Powder coated	S.S.304-2mm	30x130 H:30~50	ALS200
MB-2.3		Carbon Steel Polyester Powder coated	/	30x80-130 H:20~30	ALS200
MB-3.0		Carbon Steel Polyester Powder coated	S.S.304-3mm	30x80 H:20~30	ALS300
MB-3.1		Carbon Steel Polyester Powder coated	S.S.304-3mm	30x130 H:30~50	ALS300
MB-3.2		Carbon Steel Polyester Powder coated	S.S.304-3mm	30x80 H:20	ALS300 ALS400 ALS500/600
MB-3.3		Carbon Steel Polyester Powder coated	S.S.304-3mm	30x80-130 H:20~30 H:50	ALS300 ALS400 ALS500/600

